

# CONNECTORS

## MINIATURE CONNECTORS

Are ideal for use with fine gauge wire. Made of lightweight high impact plastic, these miniature connectors are designed to be virtually shatterproof. The connectors feature completely captive pins which strengthen the overall design. Finger grips allow ease of handling in making and breaking connections. Installation is easy; simply insert the wire between the two plates and tighten the screw. There is no need to wrap wire around the screw. The internal design eliminates the possibility of shorting wires between terminals.

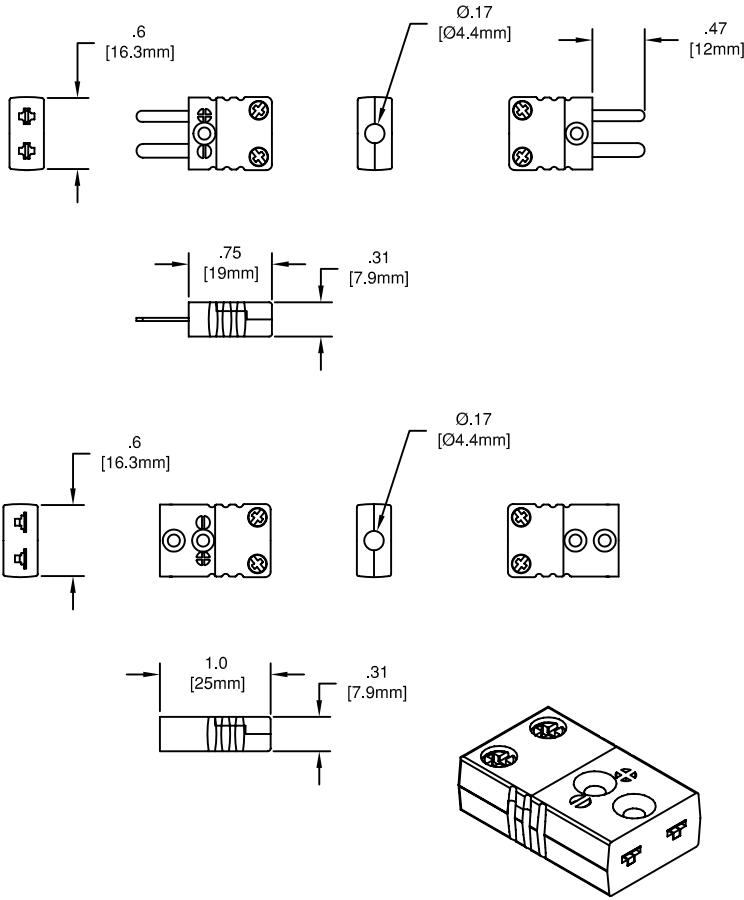
### SPECIFICATIONS

#### CONNECTORS

Color Identification: ANSI-MC96 or IEC  
 Pin & Insert Material: Thermocouple Alloys  
 Body Material: High Impact Strength Thermoplastic  
 Polarized Pins  
 Spring Loaded Inserts  
 Maximum Temperature Limit: 390°F (200°C)  
 Maximum Wire Diameter: .024" (20Ga)

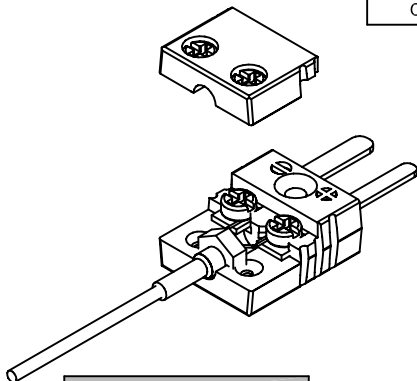
#### ACCESSORIES

Brass Bushing Inserts: Crimp or Solder  
 Wire Clamp Brackets: Stainless Steel,  
 Includes Mounting Screws  
 Split Neoprene Bushings

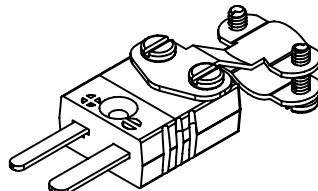


ORDERING CODE (ANSI)			ORDERING CODE (IEC)			CALIBRATION		SYMBOL
PLUG	JACK	BODY COLOR	PLUG	JACK	BODY COLOR	POSITIVE (+)	NEGATIVE (-)	
CO-41101	CO-41201	BLACK	CO-41101-IEC	CO-41201-IEC	BLACK	IRON	CONSTANTAN	JX
CO-41102	CO-41202	YELLOW	CO-41102-IEC	CO-41202-IEC	GREEN	CHROMEL	ALUMEL	KX
CO-41103	CO-41203	BLUE	CO-41103-IEC	CO-41203-IEC	BROWN	COPPER	CONSTANTAN	TX
CO-41104	CO-41204	GREEN	CO-41104-IEC	CO-41204-IEC	ORANGE	COPPER	ALLOY 11	SX/RX
CO-41105	CO-41205	PURPLE	CO-41105-IEC	CO-41205-IEC	VIOLET	CHROMEL	CONSTANTAN	EX
CO-41106	CO-41206	WHITE	CO-41106-IEC	CO-41206-IEC	WHITE	COPPER	COPPER	BX
CO-41107	CO-41207	ORANGE	CO-41107-IEC	CO-41207-IEC	PINK	NICROSIL	NISIL	NX

## ACCESSORIES



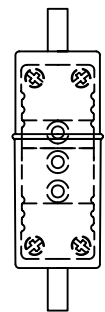
BRASS BUSHING INSERT	
ORDERING CODE	SHEATH DIAMETER
BSD1639-1	1/25" (.040)
BSD1639-2	1/16" (.063)
BSD1641	1/8" (.125)



WIRE CLAMP BRACKET
ORDERING CODE
BK/CL28519



NEOPRENE BUSHING
ORDERING CODE
BGB7986



MOISTURE PROOF BOOT
ORDERING CODE
BTD6442



TEMPERATURE MEASUREMENT DESIGNER'S GUIDE  
 WWW.THERMO-ELECTRIC-DIRECT.COM

## SECTION CONN QUICK-COUPLING MINIATURE, 2-PIN

The information contained hereon shall be considered the sole property of Thermo Electric Company, Inc. The recipient thereof agrees not to disclose or reproduce said information to parties outside the recipient's organization without the written permission of Thermo Electric.

Doc. No.: TE-CO010109-CONN-080