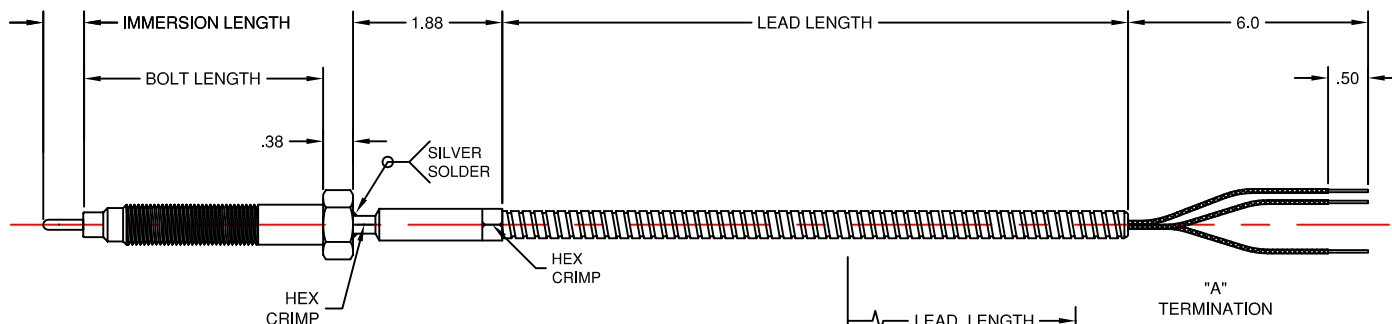


IMMERSION RTD'S

TEMPERATURE RANGE: -58°F to 752°F (-50°C to 400°C)



ORDERING CODE (with ARMORED LEAD WIRE)

CODE	IMMERSION LENGTH	CODE	BOLT LENGTH
1/2	1/2 INCH	3"	3 INCHES
3/4	3/4 INCH	6"	6 INCHES
1	1 INCH	9"	9 INCHES
		12"	12 INCHES

PMRTD - 18 - MT - 1/2 - 3 - 96 - 2 - C / C1 - CLA - 2W

CODE	LEAD LENGTH (IN INCHES)

CODE	LEAD WIRE INSULATION
2	FIBERGLASS W/ARMOR OVERALL
8	TEFLON W/ARMOR OVERALL

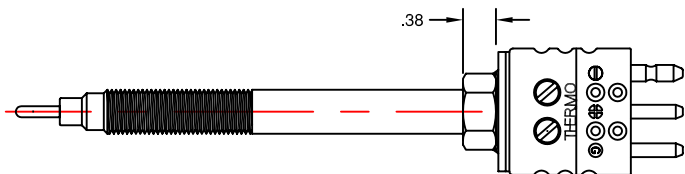
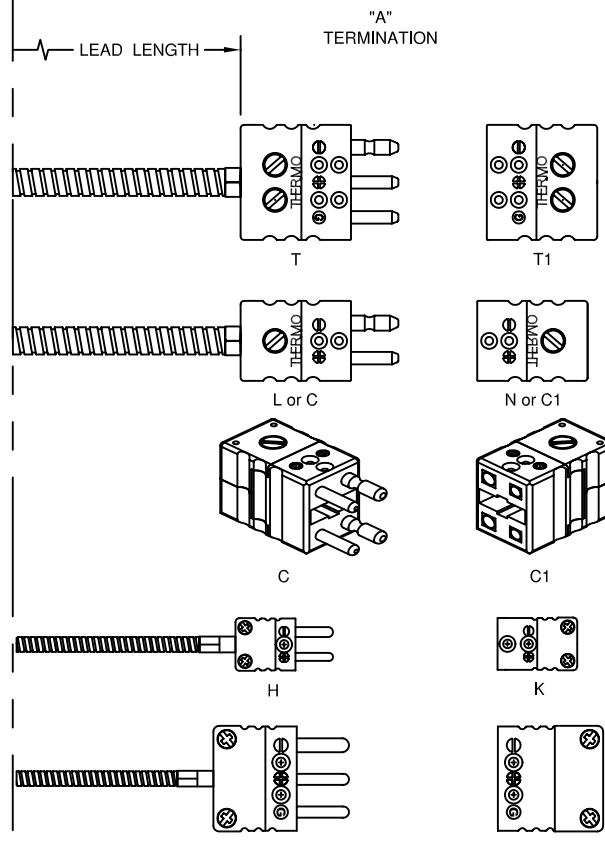
CODE	TERMINATION
A	BARE ENDS (NOTE 2)
T	STANDARD SIZE 3 PIN PLUG
L	STANDARD SIZE 2 PIN PLUG
C	STANDARD SIZE 4 PIN PLUG
H	MINIATURE 2 PIN PLUG
H3	MINIATURE 3 PIN PLUG

CODE	MATING CONNECTOR (OMIT IF NOT ORDERED)
T1	STANDARD SIZE 3 PIN JACK
N	STANDARD SIZE 2 PIN JACK
C1	STANDARD SIZE 4 PIN JACK
K	MINIATURE 2 PIN JACK
K3	MINIATURE 3 PIN JACK

CODE	SYSTEM
2W	2 WIRE (4 DUPLEX)
	3 WIRE (LEAVE BLANK)*
4W	4 WIRE (SINGLE ONLY)

*Single or Duplex

CODE	ACCURACY (ASTM E1137)
CLA	CLASS B (LEAVE BLANK)
	CLASS A



ORDERING CODE (RIGID MOUNT CONNECTOR)

PMRTD - 18 - MT - 1/2 - 3 - 0 - T / T1 - CLA -

CODE	IMMERSION LENGTH
1/2	1/2 INCH
3/4	3/4 INCH
1	1 INCH

CODE	BOLT LENGTH
3"	3 INCHES
6"	6 INCHES
9"	9 INCHES
12"	12 INCHES

CODE	SYSTEM
2W	2 WIRE (4 DUPLEX)
	3 WIRE (LEAVE BLANK)

CODE	ACCURACY (ASTM E1137)
CLA	CLASS B (LEAVE BLANK)
	CLASS A

CODE	TERMINATION
T	STANDARD SIZE 3 PIN PLUG
L	STANDARD SIZE 2 PIN PLUG

CODE	MATING CONNECTOR (OMIT IF NOT ORDERED)
T1	STANDARD SIZE 3 PIN JACK
N	STANDARD SIZE 2 PIN JACK

SPECIFICATIONS

RTD Element
 Type: Platinum, Thin Film
 Resistance @ 0° C: 100 OHMS
 Temperature Coefficient of Resistance: .00385
 Insulation: Fiberglass with Powder Filled MgO
 Sheath Material: 316 Stainless Steel
 Bolt Material: Carbon Steel, (NOTE 1)

Connectors

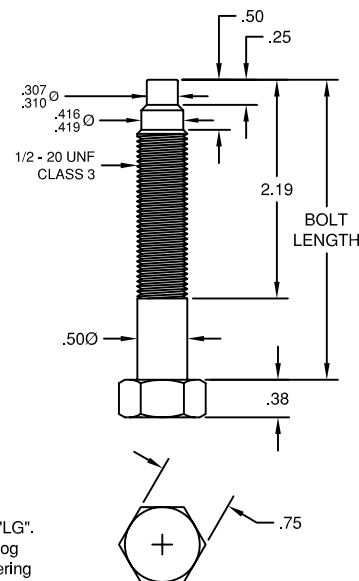
Body Material: Glass Filled Thermoplastic
 Polarized Pins
 Spring Loaded Inserts
 Maximum Temperature Limit: 390°F (200°C)

Lead Wire:

Conductor Size: 24 Gauge Stranded
 Conductor Material: Nickel Clad Copper
 Insulation: Fiberglass
 Jacket: Flexible Armor, 300 Series Stn. Fil.

Notes:

- (1) Bolt and Sheath available in other materials (Hastelloy C276, 300 Series Stn. Fil.).
- (2) Available with spade lugs, replace "A" with "LG".
- (3) For an item that does not fall within the catalog description an (SP) can be added to the ordering code as part of a custom construction.



TEMPERATURE MEASUREMENT DESIGNER'S GUIDE
 WWW.THERMO-ELECTRIC-DIRECT.COM

SECTION IMRD

PLASTIC MELT BOLT RTD'S SINGLE CONSTRUCTION

The information contained hereon shall be considered the sole property of Thermo Electric Company, Inc. The recipient thereof agrees not to disclose or reproduce said information to parties outside the recipient's organization without the written permission of Thermo Electric.

Doc. No.: TE-CO010109-IMRD-140