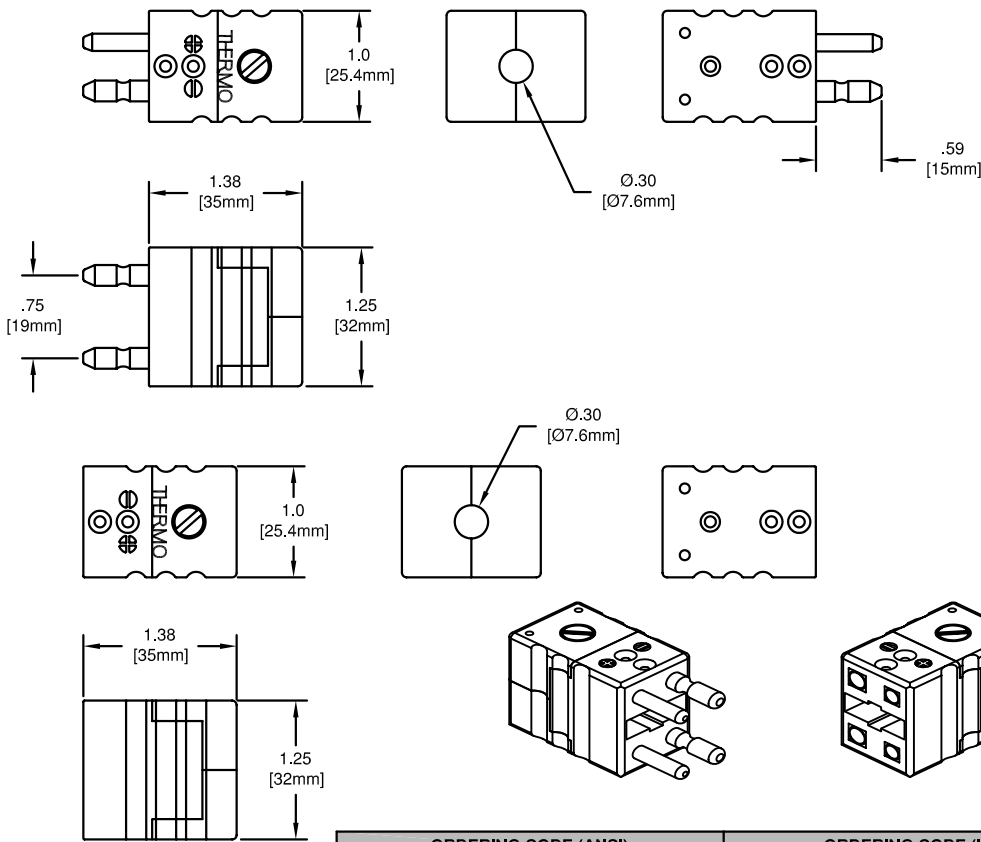


CONNECTORS



DUPLEX CONNECTORS

Duplex connectors designed for quick coupling between dual junction thermocouples and extension wires. These connectors are used where control and indication or recording of the same point is required. They save space compared to single connector sets. The plugs can be mounted directly on a dual junction thermocouple while the jacks can be wired to pairs of extension wires.

SPECIFICATIONS

CONNECTORS

- Color Dot Identification: ANSI-MC96 or IEC
- Pin & Insert Material: Thermocouple Alloys
- Body Material: High Impact Strength Thermoplastic
- Polarized Pins
- Spring Loaded Inserts
- Captive Cover Screws
- Maximum Temperature Limit: 390°F (200°C)
- Maximum Wire Diameter: .079" (14Ga)

ACCESSORIES

- Brass Bushing Inserts: Crimp or Solder
- Split Neoprene Bushings

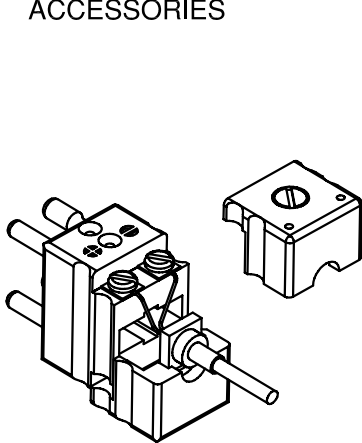
ORDERING CODE (ANSI)			ORDERING CODE (IEC)			CALIBRATION		SYMBOL
PLUG	JACK	BODY COLOR	PLUG	JACK	BODY COLOR	POSITIVE (+)	NEGATIVE (-)	
CO-40801	CO-40901	BLACK	CO-40801-IEC	CO-40901-IEC	BLACK	IRON	CONSTANTAN	JX
CO-40802	CO-40902	YELLOW	CO-40802-IEC	CO-40902-IEC	GREEN	CHROMEL	ALUMEL	KX
CO-40803	CO-40903	BLUE	CO-40803-IEC	CO-40903-IEC	BROWN	COPPER	CONSTANTAN	TX
CO-46804	CO-40904	GREEN	CO-40804-IEC	CO-40904-IEC	ORANGE	COPPER	ALLOY 11	SX/RX
CO-40805	CO-40905	PURPLE	CO-40805-IEC	CO-40905-IEC	VIOLET	CHROMEL	CONSTANTAN	EX
CO-40806	CO-40906	WHITE	CO-40806-IEC	CO-40906-IEC	WHITE	COPPER	COPPER	BX
CO-40807HD*	CO-40907	ORANGE	CO-40807HD-IEC*	CO-40907-IEC	PINK	NICROSIL	NISIL	NX

* NX available in solid pin only. all others available in standard hollow pin only.

Thermo Electric's 2 circuit single jack panel provides for a single circuit duplex connection with any duplex plug.

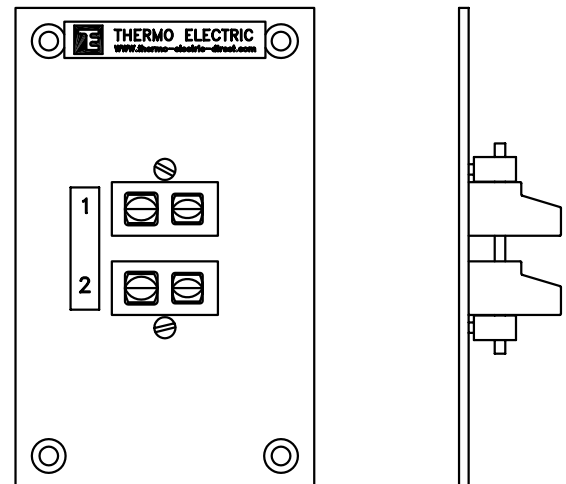
Order code PA41802, located in Section PANN
Document Number TE-CO010109-PANN-020

ACCESSORIES



NEOPRENE BUSHING
ORDERING CODE
BGC6397

BRASS BUSHING INSERT	
ORDERING CODE	SHEATH DIAMETER
BSC5712-1	1/25" (.040)
BSC5712-2	1/16" (.063)
BSC5712-3	1/8" (.125)
BSC5712-4	3/16" (.187)
BSC5712-5	1/4" (.25)



TEMPERATURE MEASUREMENT DESIGNER'S GUIDE
WWW.THERMO-ELECTRIC-DIRECT.COM

SECTION CONN QUICK-COUPLING, DUPLEX STANDARD SIZE, 2-PIN

The information contained hereon shall be considered the sole property of Thermo Electric Company, Inc. The recipient thereof agrees not to disclose or reproduce said information to parties outside the recipient's organization without the written permission of Thermo Electric.

Doc. No.: TE-CO010109-CONN-050