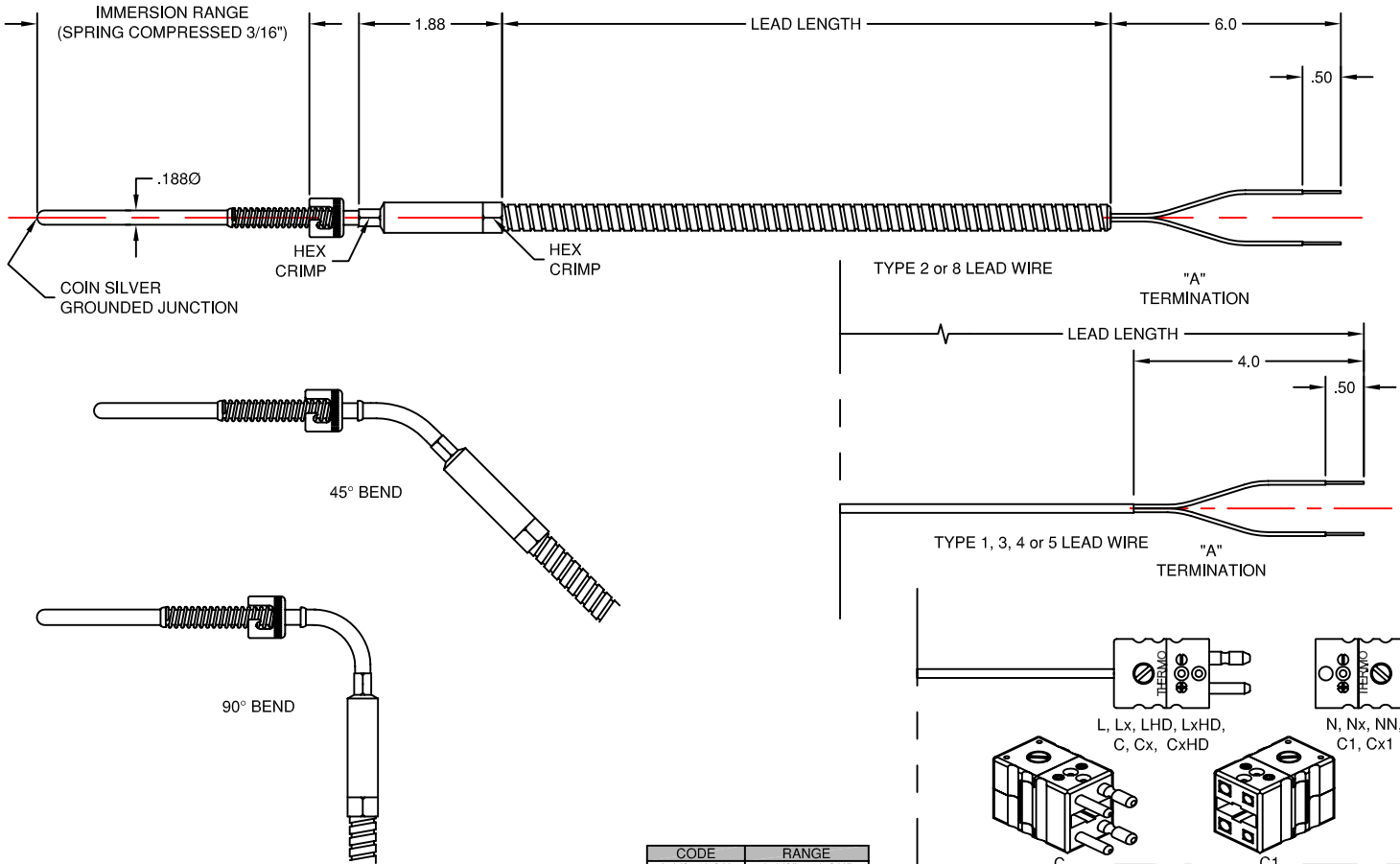


SURFACE MOUNT THERMOCOUPLES & RTD'S



CODE		CALIBRATION
STANDARD	SPECIAL (NOTE 1)	
J	JJ	IRON(+) vs CONSTANTAN(-)
T	TT	COPPER(+) vs CONSTANTAN(-)
K	KK	CHROMEL(+) vs ALUMEL(-)
E	EE	CHROMEL(+) vs CONSTANTAN(-)
N	NN	NICROSIL(+) vs NISIL(-)

CODE	DUPLEX
DUAL	USE ONLY WHEN REQUIRED

CODE	RANGE
1 1/8 - 1 3/4	1-1/8" to 1-3/4"
1 1/2 - 2 1/8	1-1/2" to 2-1/8"
2 - 2 5/8	2" to 2-5/8"
2 1/2 - 3 1/8	2-1/2" to 3-1/8"
3 - 3 5/8	3" to 3-5/8"
3 1/2 - 4 1/8	3-1/2" to 4-1/8"
4 - 4 5/8	4" to 4-5/8"
4 1/2 - 5 1/8	4-1/2" to 5-1/8"
5 - 5 5/8	5" to 5-5/8"
5 1/2 - 6 1/8	5-1/2" to 6-1/8"
6 - 6 5/8	6" to 6-5/8"
6 1/2 - 7 1/8	6-1/2" to 7-1/8"
7 - 7 5/8	7" to 7-5/8"
7 1/2 - 8 1/8	7-1/2" to 8-1/8"
8 - 8 5/8	8" to 8-5/8"

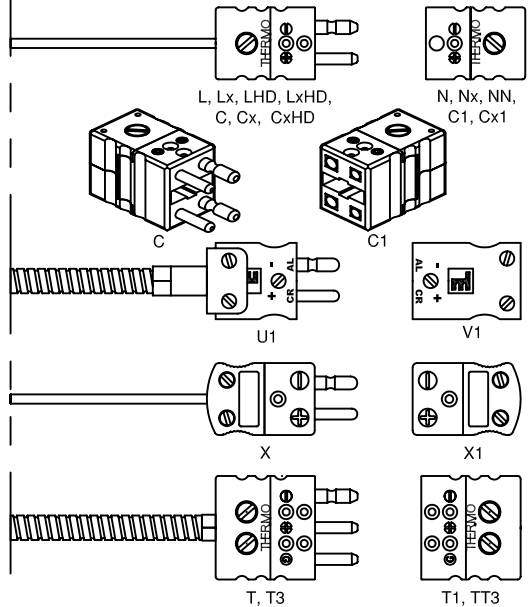
ORDERING CODE

2 J 3 1 3 1 L / N - I - 4-4 5/8 L - 42

CODE	LEAD TYPE
1	FIBERGLASS INSULATION & JACKETED
2	FIBERGLASS INSULATION, ARMOR OVERALL
3	CODE 1 WITH STN. STL. OVERBRAID
4	PVC INSULATION & JACKETED
5	TEFLON(FEP) INSULATION & JACKETED
8	PVC INSULATION, ARMOR OVERALL

CODE	MOUNTING POSITION
1	STRAIGHT
2	45° ANGLE
3	90° ANGLE

CODE	TERMINATION	MATING CONN. (NOTE 2)	
		CODE	TEMPERATURE LIMIT
A	BARE ENDS (NOTE 3)	N	390°F(200°C)
L	STANDARD SIZE PLUG	N	390°F(200°C)
LHD	STANDARD SIZE SOLID PIN PLUG	Nx	660°F(320°C)
Lx	EXTENDED LIMITS SOLID PIN PLUG	Nx	660°F(320°C)
LxHD	EXTENDED LIMITS SOLID PIN PLUG	Nx	660°F(320°C)
U1	IMPACT RESISTANT PHENOLIC PLUG	V1	300°F(150°C)
X	ULTRA-TEMP PLUG	X1	1000°F(538°C)
T	THREE PIN PLUG	T1	390°F(200°C)
C	STANDARD SIZE DUPLEX PLUG	C1	390°F(200°C)
Cx	EXTENDED LIMITS DUPLEX PLUG	Cx1	660°F(320°C)
CxHD	EXT. LIMITS SOLID PIN DUPLEX PLUG	Cx1	660°F(320°C)
T3	THREE PIN DUPLEX PLUG	TT3	390°F(200°C)
LL	TWO STANDARD SIZE 2-PIN PLUGS	NN	390°F(200°C)



EXAMPLE: 2J3131L/N I=1 1/8-1 3/4 L=24
2J3331C/C1-DUAL I=4-4 5/8 L=42

Notes:

- (1) Meets or exceeds Special Initial Calibration Tolerances per ANSI MC96.1-1982 and ASTM E230-1993
- (2) Omit mating connector if not ordered. Mating connector can be attached to the sheath.
- (3) Available with spade lugs, replace "A" with "SL".

Specifications:

Sheath Material: 316 Stn. Stil.
Measuring Junction: Coin Silver Tip
Insulation: Fiberglass
Maximum Temperature: 950° F (510° C)



TEMPERATURE MEASUREMENT DESIGNER'S GUIDE
WWW.THERMO-ELECTRIC-DIRECT.COM

SECTION SUTC BAYONET THERMOCOUPLES with LEAD WIRE

The information contained hereon shall be considered the sole property of Thermo Electric Company, Inc. The recipient thereof agrees not to disclose or reproduce said information to parties outside the recipient's organization without the written permission of Thermo Electric.

Doc. No.: TE-CO010109-SUTR-040