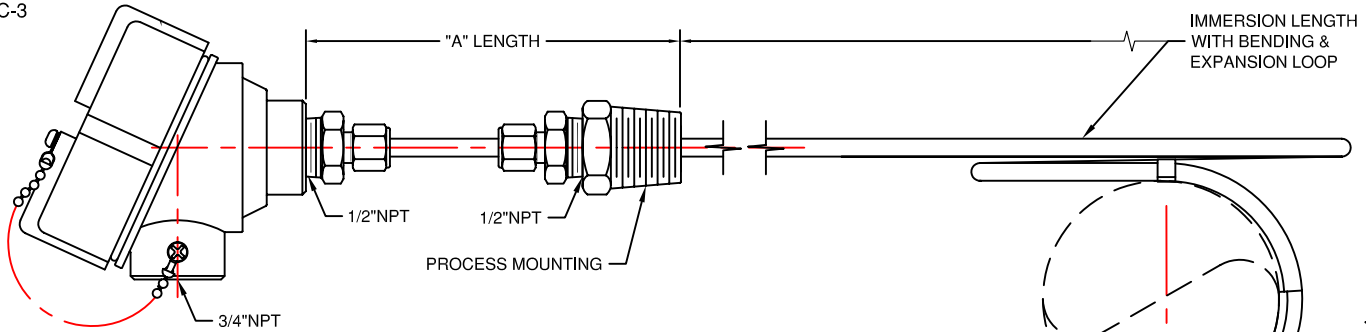
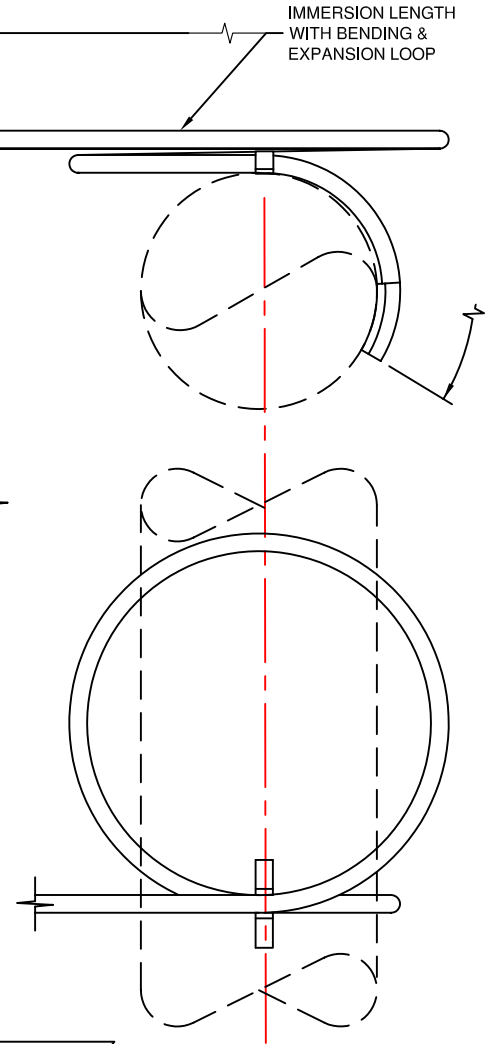
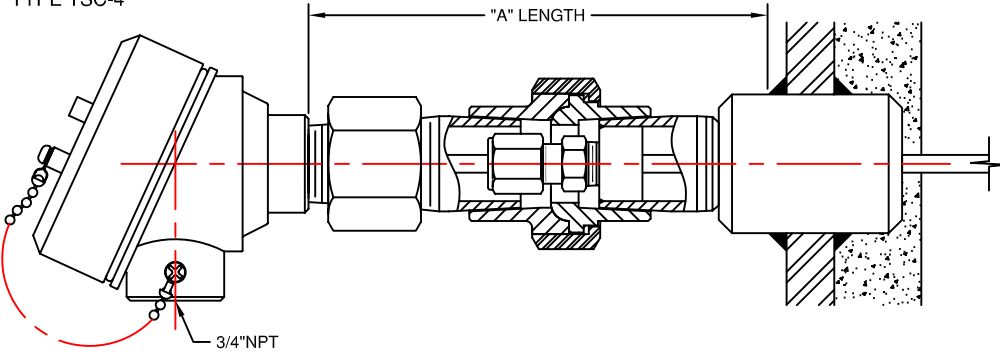


INDUSTRIAL THERMOCOUPLES

TYPE TSC-3



TYPE TSC-4



CODE	HEAD EXTENSION
3	DIRECT SHEATH EXTENSION
4	NIPPLE/UNION/SEALING FITTING/NIPPLE

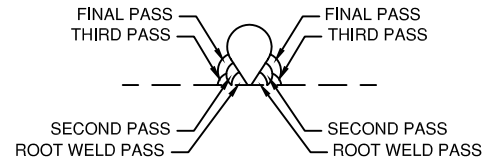
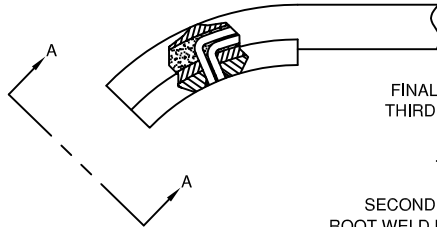
CODE		CALIBRATION
STANDARD	SPECIAL (NOTE 1)	
J	JJ	IRON (+) vs CONSTANTAN (-)
K	KK	CHROMEL (+) vs ALUMEL (-)
E	EE	CHROMEL (+) vs CONSTANTAN (-)

SHEATH DIAMETER & WALL THICKNESS		
CODE	FRACTION	WALL THICKNESS
12	1/2"	STANDARD WALL THICKNESS - .064"
12H	1/2"	HEAVY WALL - .120"

CODE	ELEMENT SHEATH MATERIAL
Q	310 STAINLESS STEEL
J	INCONEL 600
Y	446 STAINLESS STEEL

CODE	IMMERSION LENGTH (IN INCHES)

CODE	BEND RADIUS
R	RIGHT ANGLE
L	LONGITUDINAL



VIEW A-A

TSC----G----------AN-1NPT

3-K-12 Q-60-L12-6-AN-1NPT

CODE	PIPE DIAMETER (IN INCHES)

CODE	"A" LENGTH (IN INCHES)

CODE	PROCESS MOUNTING
3/4NPT	3/4"NPT
1NPT	1"NPT
1 1/2NPT	1 1/2"NPT
2NPT	2"NPT

CODE	CONNECTION HEAD		NEMA
	MATERIAL	TYPE	
AN	ALUMINUM	WATER PROOF	4
SN	STAINLESS STEEL	WATER PROOF, CORROSION RESISTANT	4, 4X
AE	ALUMINUM	EXPLOSION PROOF (NOTE 2)	4
SE	STAINLESS STEEL	EXPLOSION PROOF, CORROSION RESISTANT (NOTE 2)	4, 4X
XD	ALUMINUM	EXPLOSION PROOF, FM, CSA APPROVED (NOTES 2 & 3)	4, 4X
A	CAST IRON	WEATHER PROOF, RUGGED	
AX	ALUMINUM, LARGE DEVICE, EPOXY COATED	EXPLOSION PROOF, ATEX APPROVED (NOTE 3)	4

Notes:

- (1) Meets or exceeds Special Initial Calibration Tolerances per ANSI MC96.1-1982 and ASTM E230-1993.
- (2) Rated NEC class 1, Groups B, C and D.
- (3) ATEX approved EEx d IIC, T6.
- (4) For an item that does not fall within the catalog description an (SP) can be added to the ordering code as part of a custom construction.

Specifications

- (1) Fitting Material - Stainless Steel
- (2) TCS-4, Union Material - Standard Black Malleable Iron.
- (3) TSC-4, Nipple Material - Standard Carbon Steel.



TEMPERATURE MEASUREMENT DESIGNER'S GUIDE
WWW.THERMO-ELECTRIC-DIRECT.COM

SECTION INTC
KNIFE EDGE THERMOCOUPLES
TYPE TSC-3 & TSC-4
SINGLE CONSTRUCTION

The information contained hereon shall be considered the sole property of Thermo Electric Company, Inc. The recipient thereof agrees not to disclose or reproduce said information to parties outside the recipient's organization without the written permission of Thermo Electric.

Doc. No.: TE-CO010109-INTC-310