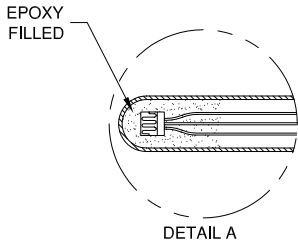
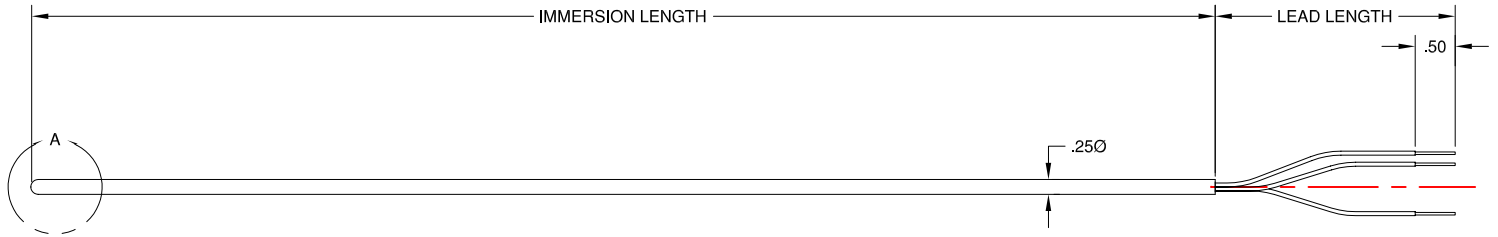


IMMERSION RTD'S

TEMPERATURE RANGE: -58°F to 500°F (-50°C to 260°C)

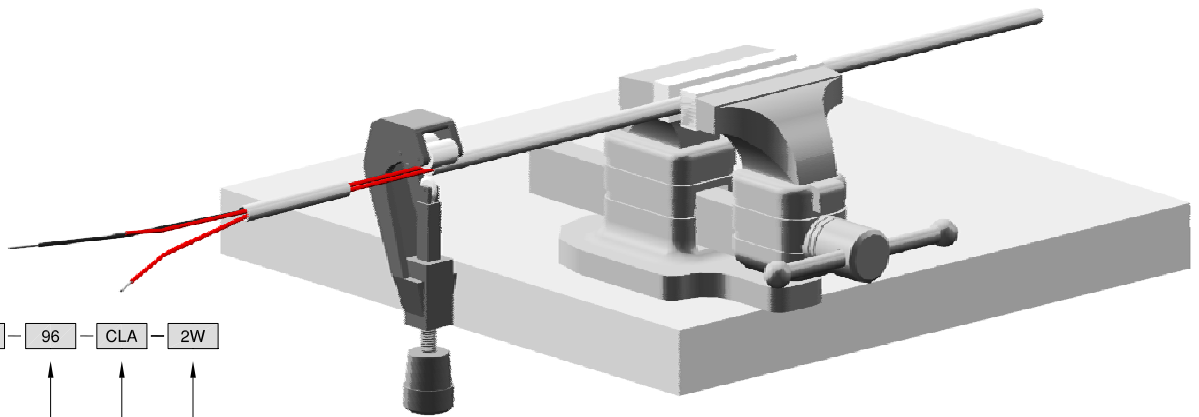


These RTD's are ideal when the immersion length is undetermined until actual time of installation.

As spare elements, they also provide the advantage of stocking the longest length only in a desired quantity to be used as a replacement in any of the shorter assemblies. This offers economy and constant availability.

To reduce the length for a particular installation, simply remove the TEFLON® insert from the lead wire end of the tube. Then cut the tube with a tube cutter to avoid damaging the wires or deforming the tube. Once the tube is cut, remove burrs and reinsert the TEFLON® insert.

Adjustable RTD's are available from stock in standard 28.5" immersion and 6" lead length.



ORDERING CODE

D - RTD29605 - 18 - 96 - CLA - 2W

CODE	SYSTEM
2W	2 WIRE (4 DUPLEX)
3W	3 WIRE (LEAVE BLANK)*
4W	4 WIRE (8 DUPLEX)

*Single or Duplex

CODE	ACCURACY (ASTM E1137)
CLA	CLASS B (LEAVE BLANK)
CLB	CLASS A

CODE	LEAD LENGTH (IN INCHES)
6	6
12	12
18	18
24	24
30	30
36	36
42	42
48	48
54	54
60	60
66	66
72	72
78	78
84	84
90	90
96	96
102	102
108	108
114	114
120	120
126	126
132	132
138	138
144	144
150	150
156	156
162	162
168	168
174	174
180	180
186	186
192	192
198	198
204	204
210	210
216	216
222	222
228	228
234	234
240	240
246	246
252	252
258	258
264	264
270	270
276	276
282	282
288	288
294	294
300	300
306	306
312	312
318	318
324	324
330	330
336	336
342	342
348	348
354	354
360	360
366	366
372	372
378	378
384	384
390	390
396	396
402	402
408	408
414	414
420	420
426	426
432	432
438	438
444	444
450	450
456	456
462	462
468	468
474	474
480	480
486	486
492	492
498	498
504	504
510	510
516	516
522	522
528	528
534	534
540	540
546	546
552	552
558	558
564	564
570	570
576	576
582	582
588	588
594	594
600	600
606	606
612	612
618	618
624	624
630	630
636	636
642	642
648	648
654	654
660	660
666	666
672	672
678	678
684	684
690	690
696	696
702	702
708	708
714	714
720	720
726	726
732	732
738	738
744	744
750	750
756	756
762	762
768	768
774	774
780	780
786	786
792	792
798	798
804	804
810	810
816	816
822	822
828	828
834	834
840	840
846	846
852	852
858	858
864	864
870	870
876	876
882	882
888	888
894	894
900	900
906	906
912	912
918	918
924	924
930	930
936	936
942	942
948	948
954	954
960	960
966	966
972	972
978	978
984	984
990	990
996	996
1002	1002
1008	1008
1014	1014
1020	1020
1026	1026
1032	1032
1038	1038
1044	1044
1050	1050
1056	1056
1062	1062
1068	1068
1074	1074
1080	1080
1086	1086
1092	1092
1098	1098
1104	1104
1110	1110
1116	1116
1122	1122
1128	1128
1134	1134
1140	1140
1146	1146
1152	1152
1158	1158
1164	1164
1170	1170
1176	1176
1182	1182
1188	1188
1194	1194
1200	1200
1206	1206
1212	1212
1218	1218
1224	1224
1230	1230
1236	1236
1242	1242
1248	1248
1254	1254
1260	1260
1266	1266
1272	1272
1278	1278
1284	1284
1290	1290
1296	1296
1302	1302
1308	1308
1314	1314
1320	1320
1326	1326
1332	1332
1338	1338
1344	1344
1350	1350
1356	1356
1362	1362
1368	1368
1374	1374
1380	1380
1386	1386
1392	1392
1398	1398
1404	1404
1410	1410
1416	1416
1422	1422
1428	1428
1434	1434
1440	1440
1446	1446
1452	1452
1458	1458
1464	1464
1470	1470
1476	1476
1482	1482
1488	1488
1494	1494
1500	1500
1506	1506
1512	1512
1518	1518
1524	1524
1530	1530
1536	1536
1542	1542
1548	1548
1554	1554
1560	1560
1566	1566
1572	1572
1578	1578
1584	1584
1590	1590
1596	1596
1602	1602
1608	1608
1614	1614
1620	1620
1626	1626
1632	1632
1638	1638
1644	1644
1650	1650
1656	1656
1662	1662
1668	1668
1674	1674
1680	1680
1686	1686
1692	1692
1698	1698
1704	1704
1710	1710
1716	1716
1722	1722
1728	1728
1734	1734
1740	1740
1746	1746
1752	1752
1758	1758
1764	1764
1770	1770
1776	1776
1782	1782
1788	1788
1794	1794
1800	1800
1806	1806
1812	1812
1818	1818
1824	1824
1830	1830
1836	1836
1842	1842
1848	1848
1854	1854
1860	1860
1866	1866
1872	1872
1878	1878
1884	1884
1890	1890
1896	1896
1902	1902
1908	1908
1914	1914
1920	1920
1926	1926
1932	1932
1938	1938
1944	1944
1950	1950
1956	1956
1962	1962
1968	1968
1974	1974
1980	1980
1986	1986
1992	1992
1998	1998
2004	2004
2010	2010
2016	2016
2022	2022
2028	2028
2034	2034
2040	2040
2046	2046
2052	2052
2058	2058
2064	2064
2070	2070
2076	2076
2082	2082
2088	2088
2094	2094
2100	2100
2106	2106
2112	2112
2118	2118
2124	2124
2130	2130
2136	2136
2142	2142
2148	2148
2154	2154
2160	2160
2166	2166
2172	2172
2178	2178
2184	2184
2190	2190
2196	2196
2202	2202
2208	2208
2214	2214
2220	2220
2226	2226
2232	2232
2238	2238
2244	2244
2250	2250
2256	2256
2262	2262
2268	2268
2274	2274
2280	2280
2286	2286
2292	2292
2298	2298
2304	2304
2310	2310
2316	2316
2322	2322
2328	2328
2334	2334
2340	2340
2346	2346
2352	2352
2358	2358
2364	2364
2370	2370
2376	2376
2382	2382
2388	2388
2394	2394
2400	2400
2406	2406
2412	2412
2418	2418
2424	2424
2430	2430
2436	2436
2442	2442
2448	2448
2454	2454
2460	2460
2466	2466
2472	2472
2478	2478
2484	2484
2490	2490
2496	2496
2502	2502
2508	2508
2514	2514
2520	2520
2526	2526
2532	2532
2538	2538
2544	2544
2550	2550
2556	2556
2562	2562
2568	2568
2574	2574
2580	2